

# Collection schedule for wastes (Ikeda, Shimoogawa, Shimosato)

- Please put out before 8:30 am.
- Please put combustible garbage in the designated bag.
- At collection day for Used papers, can not put out curtains, bedclothes.
- Place harmful waste in a different bag from other garbage, and label the bag “ユウガイ” (yuugai:harmful).

2026 Apr

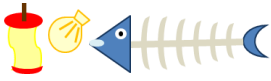
Sun	Mon	Tue	Wed	Thu	Fri	Sat
			1 Papers	2	3 Combustible	4 Recyclable
5	6 Cans Harmful wastes	7 Combustible	8	9	10 Combustible	11 Recyclable
12	13	14 Combustible	15	16	17 Combustible	18 Recyclable
19	20 Glasses	21 Combustible	22	23	24 Combustible	25 Recyclable
26	27	28 Combustible	29 Showa Day	30		

2026 May


Sun	Mon	Tue	Wed	Thu	Fri	Sat
					1 Combustible	2 Recyclable
3 Constitution Memorial Day	4 Greenery Day Cans Harmful wastes	5 Children's Day Combustible	6 Substitute holiday Papers	7	8 Combustible	9 Recyclable
10	11	12 Combustible	13	14	15 Combustible	16 Recyclable
17	18 Glasses	19 Combustible	20	21	22 Combustible	23 Recyclable
24/31	25	26 Combustible	27	28	29 Combustible	30 Recyclable

**Combustible** : Combustible wastes     
 **Recyclable** : Recyclable plastics     
 **Papers** : Used papers, Newspapers, Clothes, Cardboard  
**Cans** : Cans, Metals, Unrecyclable plastics, Plastic bottles     
 **Glasses** : Colorless bottles, Brown bottles, Glasses, Ceramics  
**Harmful wastes** : Cigarette lighter, Dry-cell Batteries, Fluorescent light, Mercury thermometer

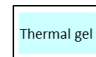
**Combustible wastes**




Kitchen waste(Drain well)




Unrecyclable paper




Thermal gel




Paper diaper  
Sanitary items



Aluminium cooking foil



Scraps of wood



Branch(with a diameter less than 3 cm)  
Please bind with strings.

# Collection schedule for wastes (Ikeda, Shimoogawa, Shimosato)

- Please put out before 8:30 am.
- Please put combustible garbage in the designated bag.
- At collection day for Used papers, can not put out curtains, bedclothes.
- Place harmful waste in a different bag from other garbage, and label the bag “ユウガイ” (yuugai:harmful).

2026 Jun

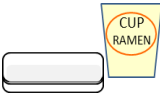
Sun	Mon	Tue	Wed	Thu	Fri	Sat
	1 Cans Harmful wastes	2 Combustible	3 Papers	4	5 Combustible	6 Recyclable
7	8	9 Combustible	10	11	12 Combustible	13 Recyclable
14	15 Glasses	16 Combustible	17	18	19 Combustible	20 Recyclable
21	22	23 Combustible	24	25	26 Combustible	27 Recyclable
28	29	30 Combustible				

2026 Jul


Sun	Mon	Tue	Wed	Thu	Fri	Sat
			1 Papers	2	3 Combustible	4 Recyclable
5	6 Cans Harmful wastes	7 Combustible	8	9	10 Combustible	11 Recyclable
12	13	14 Combustible	15	16	17 Combustible	18 Recyclable
19	20 Marine Day Glasses	21 Combustible	22	23	24 Combustible	25 Recyclable
26	27	28 Combustible	29	30	31 Combustible	

**Combustible** : Combustible wastes     
 **Recyclable** : Recyclable plastics     
 **Papers** : Used papers, Newspapers, Clothes, Cardboard  
**Cans** : Cans, Metals, Unrecyclable plastics, Plastic bottles     
 **Glasses** : Colorless bottles, Brown bottles, Glasses, Ceramics  
**Harmful wastes** : Cigarette lighter, Dry-cell Batteries, Fluorescent light, Mercury thermometer


**Recyclable plastics**



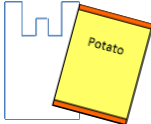
Trays and cups  
※Please rinse before disposal.




Bottles and tubes




Styrofoam




Packages and bags



CDs, DVDs and cases



Caps



Toys made of plastic

# Collection schedule for wastes (Ikeda, Shimoogawa, Shimosato)

- Please put out before 8:30 am.
- Please put combustible garbage in the designated bag.
- At collection day for Used papers, can not put out curtains, bedclothes.
- Place harmful waste in a different bag from other garbage, and label the bag “ユウガイ” (yuugai:harmful).

2026 Aug

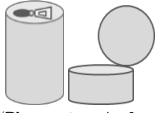
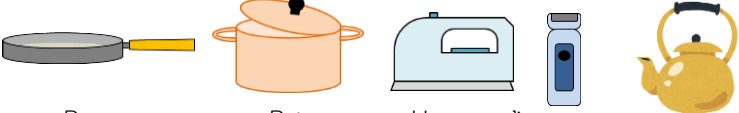
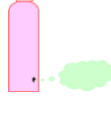
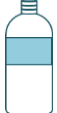

Sun	Mon	Tue	Wed	Thu	Fri	Sat
						1 Recyclable
2	3 Cans Harmful wastes	4 Combustible	5 Papers	6	7 Combustible	8 Recyclable
9	10	11 Mountain Day Combustible	12	13	14 Combustible	15 Recyclable
16	17 Glasses	18 Combustible	19	20	21 Combustible	22 Recyclable
23/30	24/31	25 Combustible	26	27	28 Combustible	29 Recyclable

2026 Sep

Sun	Mon	Tue	Wed	Thu	Fri	Sat
		1 Combustible	2 Papers	3	4 Combustible	5 Recyclable
6	7 Cans Harmful wastes	8 Combustible	9	10	11 Combustible	12 Recyclable
13	14	15 Combustible	16	17	18 Combustible	19 Recyclable
20	21 Respect for the Aged Day Glasses	22 national holiday Combustible	23 Autumnal Equinox Day	24	25 Combustible	26 Recyclable
27	28	29 Combustible	30			

**Combustible** : Combustible wastes      **Recyclable** : Recyclable plastics      **Papers** : Used papers, Newspapers, Clothes, Cardboard  
**Cans** : Cans, Metals, Unrecyclable plastics, Plastic bottles      **Glasses** : Colorless bottles, Brown bottles, Glasses, Ceramics  
**Harmful wastes** : Cigarette lighter, Dry-cell Batteries, Fluorescent light, Mercury thermometer

**Cans, Metals, Unrecyclable plastics, Plastic bottles**

<b>Cans</b>  (Please rinse before disposal.)	<b>Metals</b>  Pans      Pots      Home appliances (less than 40 cm)      kettle	 Spray cans (Empty the contents, do not puncture)	<b>Plastic bottles</b>  (Please rinse before disposal.)
<b>Unrecyclable plastics</b>  Plastic wraps      Shoes      Bags      Videotapes      Stationery      Sponge			

# Collection schedule for wastes (Ikeda, Shimoogawa, Shimosato)

- Please put out before 8:30 am.
- Please put combustible garbage in the designated bag.
- At collection day for Used papers, can not put out curtains, bedclothes.
- Place harmful waste in a different bag from other garbage, and label the bag “ユウガイ” (yuugai:harmful).

2026 Oct


Sun	Mon	Tue	Wed	Thu	Fri	Sat
				1	2 Combustible	3 Recyclable
4	5 Cans Harmful wastes	6 Combustible	7 Papers	8	9 Combustible	10 Recyclable
11	12 Health-Sports	13 Combustible	14	15	16 Combustible	17 Recyclable
18	19 Glasses	20 Combustible	21	22	23 Combustible	24 Recyclable
25	26	27 Combustible	28	29	30 Combustible	31 Recyclable

2026 Nov


Sun	Mon	Tue	Wed	Thu	Fri	Sat
1	2 Cans Harmful wastes	3 Culture Day Combustible	4 Papers	5	6 Combustible	7 Recyclable
8	9	10 Combustible	11	12	13 Combustible	14 Recyclable
15	16 Glasses	17 Combustible	18	19	20 Combustible	21 Recyclable
22	23 Labour Thanksgiving Day	24 Combustible	25	26	27 Combustible	28 Recyclable
29	30					

**Combustible** : Combustible wastes      **Recyclable** : Recyclable plastics      **Papers** : Used papers, Newspapers, Clothes, Cardboard  
**Cans** : Cans, Metals, Unrecyclable plastics, Plastic bottles      **Glasses** : Colorless bottles, Brown bottles, Glasses, Ceramics  
**Harmful wastes** : Cigarette lighter, Dry-cell Batteries, Fluorescent light, Mercury thermometer


**Glasses, Harmful wastes**




Brown bottles




Colorless bottles




Glasses



Ceramics




Mirrors (less than 40 cm)




Light bulbs


Harmful wastes



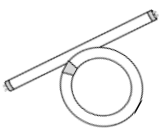
Dry-cell batteries



Cigarette lighter



Mercury thermometer



Fluorescent light

※Please put it in a transparent bag,  
and label the bag “ユウガイ”  
(yuugai:harmful).

# Collection schedule for wastes (Ikeda, Shimoogawa, Shimosato)

- Please put out before 8:30 am.
- Please put combustible garbage in the designated bag.
- At collection day for Used papers, can not put out curtains, bedclothes.
- Place harmful waste in a different bag from other garbage, and label the bag “ユウガイ” (yuugai:harmful).

2026 Dec

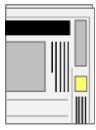
Sun	Mon	Tue	Wed	Thu	Fri	Sat
		1 Combustible	2 Papers	3	4 Combustible	5 Recyclable
6	7 Cans Harmful wastes	8 Combustible	9	10	11 Combustible	12 Recyclable
13	14	15 Combustible	16	17	18 Combustible	19 Recyclable
20	21 Glasses	22 Combustible	23	24	25 Combustible	26 Recyclable
27	28	29 Combustible	30	31		

2027 Jan


Sun	Mon	Tue	Wed	Thu	Fri	Sat
					1 New Year's Day	2 Closed day
3	4 Cans Harmful wastes	5 Combustible	6 Papers	7	8 Combustible	9 Recyclable
10	11 Coming-of-age	12 Combustible	13	14	15 Combustible	16 Recyclable
17	18 Glasses	19 Combustible	20	21	22 Combustible	23 Recyclable
24/31	25	26 Combustible	27	28	29 Combustible	30 Recyclable

**Combustible** : Combustible wastes     
 **Recyclable** : Recyclable plastics     
 **Papers** : Used papers, Newspapers, Clothes, Cardboard  
**Cans** : Cans, Metals, Unrecyclable plastics, Plastic bottles     
 **Glasses** : Colorless bottles, Brown bottles, Glasses, Ceramics  
**Harmful wastes** : Cigarette lighter, Dry-cell Batteries, Fluorescent light, Mercury thermometer

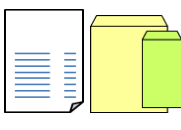
**Papers**



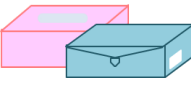
Newspapers




Magazines and books



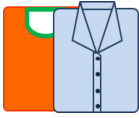
Used papers



Cardboard



Corrugated cardboard



Clothes

※Please bind each them with strings separately.

# Collection schedule for wastes (Ikeda, Shimoogawa, Shimozato)

- Please put out before 8:30 am.
- Please put combustible garbage in the designated bag.
- At collection day for Used papers, can not put out curtains, bedclothes.
- Place harmful waste in a different bag from other garbage, and label the bag “ユウガイ” (yuugai:harmful).

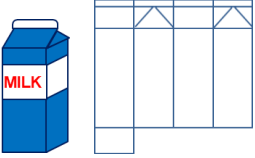

2027 Feb

Sun	Mon	Tue	Wed	Thu	Fri	Sat
	1 Cans Harmful wastes	2 Combustible	3 Papers	4	5 Combustible	6 Recyclable
7	8	9 Combustible	10	11 National Foundation Day	12 Combustible	13 Recyclable
14	15 Glasses	16 Combustible	17	18	19 Combustible	20 Recyclable
21/28	22	23 The Emperor's Birthday Combustible	24	25	26 Combustible	27 Recyclable

2027 Mar

Sun	Mon	Tue	Wed	Thu	Fri	Sat
	1 Cans Harmful wastes	2 Combustible	3 Papers	4	5 Combustible	6 Recyclable
7	8	9 Combustible	10	11	12 Combustible	13 Recyclable
14	15 Glasses	16 Combustible	17	18	19 Combustible	20 Recyclable
21 Vernal Equinox	22 Substitute holiday	23 Combustible	24	25	26 Combustible	27 Recyclable
28	29	30 Combustible	31			

**Combustible** : Combustible wastes      **Recyclable** : Recyclable plastics      **Papers** : Used papers, Newspapers, Clothes, Cardboard  
**Cans** : Cans, Metals, Unrecyclable plastics, Plastic bottles      **Glasses** : Colorless bottles, Brown bottles, Glasses, Ceramics  
**Harmful wastes** : Cigarette lighter, Dry-cell Batteries, Fluorescent light, Mercury thermometer

Paper cartons, Used cooking oils										
<div style="text-align: center;">Paper cartons</div>  <p>Milk cartons Juice cartons (No aluminium coated cartons)</p> <p>Please rinse the inside with water, and open it with scissors, etc.</p>	<div style="text-align: center;">Used cooking oils</div>  <p>Used cooking oils (vegetable oils excluding coconut oil) are collected as recyclables.</p> <p>Please put oils in plastic bottles or returnable bottles, be sure to get a lid on it.</p>									
<p>Collection Boxes are placed in the following sites.</p> <table style="width: 100%; border: none;"> <tr> <td>*Ogawa Town Office</td> <td>*Takezawa public hall</td> <td>*Library (Paper cartons only)</td> </tr> <tr> <td>*Okawa public hall</td> <td>*Yaoko Midorigaoka store information transmission corner</td> <td>*Yawata public hall</td> </tr> <tr> <td>*Higashi-Ogawa autonomy hall</td> <td>*Ogawamachi General Welfare Center (Patria Ogawa)</td> <td></td> </tr> </table> <p>※Please put out items during library/Patria Ogawa (opening days) and Yaoko Midorigaoka store opening hours.</p>		*Ogawa Town Office	*Takezawa public hall	*Library (Paper cartons only)	*Okawa public hall	*Yaoko Midorigaoka store information transmission corner	*Yawata public hall	*Higashi-Ogawa autonomy hall	*Ogawamachi General Welfare Center (Patria Ogawa)	
*Ogawa Town Office	*Takezawa public hall	*Library (Paper cartons only)								
*Okawa public hall	*Yaoko Midorigaoka store information transmission corner	*Yawata public hall								
*Higashi-Ogawa autonomy hall	*Ogawamachi General Welfare Center (Patria Ogawa)									